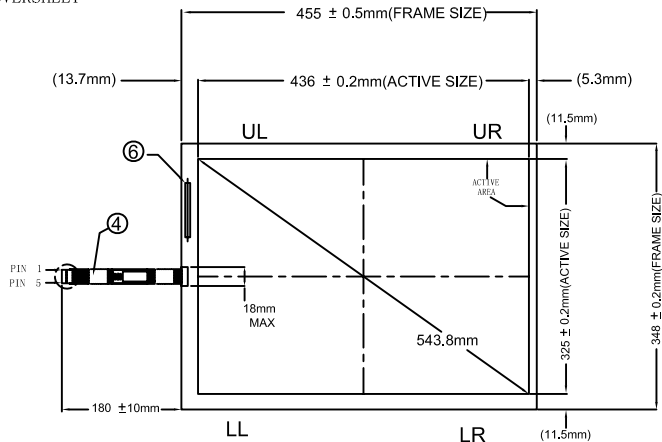


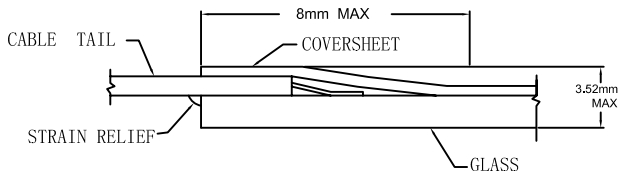
NOTES:

1. GLASS THICKNESS 3mm NOMINAL
2. FINISHED PART THICKNESS 3.36mm NOMINAL
3. FINISHED PART THICKNESS AT CABLE ATTACHMENT AREA 3.52mm MAX
- ④ LABLE TO BE ATTACHED TO FRONT SIDE OF CABLE
5. CABLE IS ATTACHED TO THE LEFT SIDE OF TOUCHSCREEN AT CENTER POINT AS SHOWN
- ⑥ FINISHED PART THICKNESS AT THE COVERSHEET CONTACT 3.48mm MAX



**CONNECTOR
PINOUT**

PIN NO.	DESIGNATION
1	UR
2	LR
3	Sense
4	UL
5	LL



vtouch
VTUOCH P/N: 15R-21.3-30
DESCRIPTION 21.3"5-Wire Resistive TouchScreen
UNIT mm
DATE 08/06/25
SHEET 1 OF 1