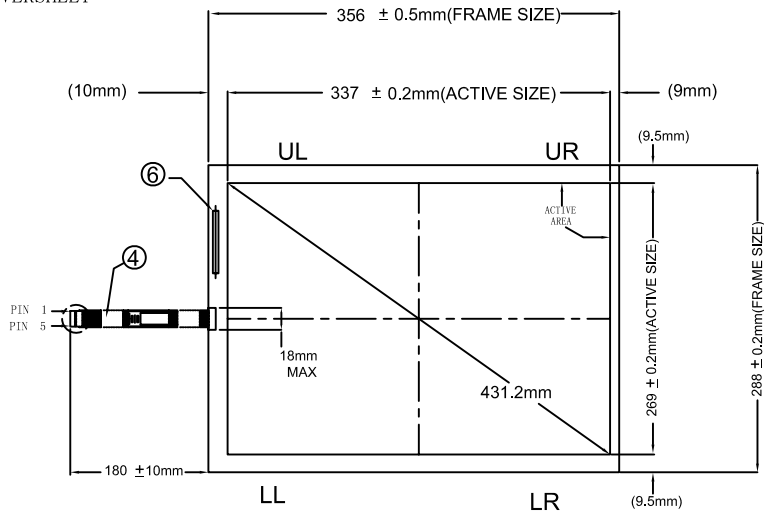


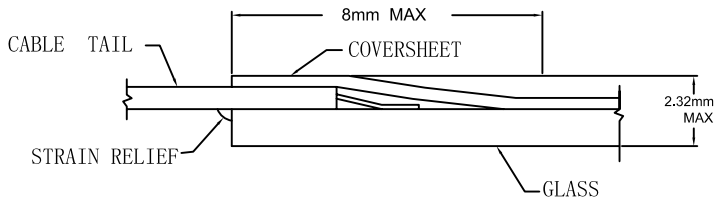
NOTES:

1. GLASS THICKNESS 1.8mm NOMINAL
2. FINISHED PART THICKNESS 2.16mm NOMINAL
3. FINISHED PART THICKNESS AT CABLE ATTACHMENT AREA 2.32mm MAX
- ④ LABEL TO BE ATTACHED TO FRONT SIDE OF CABLE
5. CABLE IS ATTACHED TO THE LEFT SIDE OF TOUCHSCREEN AT CENTER POINT AS SHOWN
- ⑥ FINISHED PART THICKNESS AT THE COVERSHEET CONTACT 2.28mm MAX



**CONNECTOR
PINOUT**

PIN NO.	DESIGNATION
1	UR
2	LR
3	Sense
4	UL
5	LL



vtouch

VTOUCH P/N: 15R-17.0-20
DESCRIPTION 17.0" 5-Wire Resistive TouchScreen
UNIT mm
DATE 08/08/08
SHEET 1 OF 1