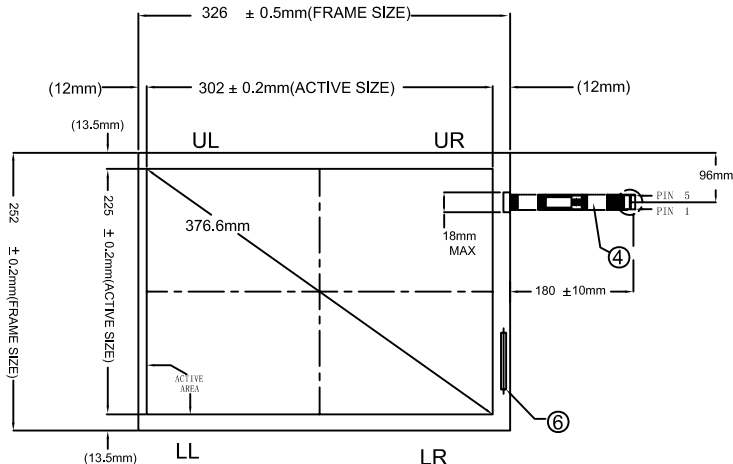


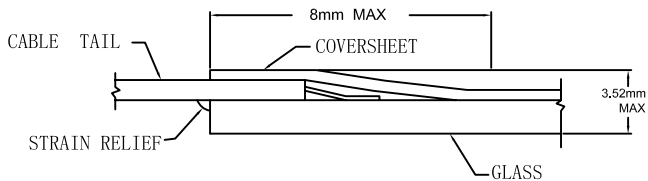
NOTES:

1. GLASS THICKNESS 3mm NOMINAL
2. FINISHED PART THICKNESS 3.36mm NOMINAL
3. FINISHED PART THICKNESS AT CABLE ATTACHMENT AREA 3.52mm MAX
- ④ LABEL TO BE ATTACHED TO FRONT SIDE OF CABLE
5. CABLE IS ATTACHED TO THE LEFT SIDE OF TOUCHSCREEN AT CENTER POINT AS SHOWN
- ⑥ FINISHED PART THICKNESS AT THE COVERSHEET CONTACT 3.48mm MAX



CONNECTOR
PINOUT

PIN NO.	DESIGNATION
1	UR
2	LR
3	Sense
4	UL
5	LL



vtouch	
VTOUCH P/N:	T5R-15.0-30
DESCRIPTION	15.0" 5-Wire Resistive TouchScreen
UNIT	mm
DATE	08/07/12
SHEET	1 OF 1