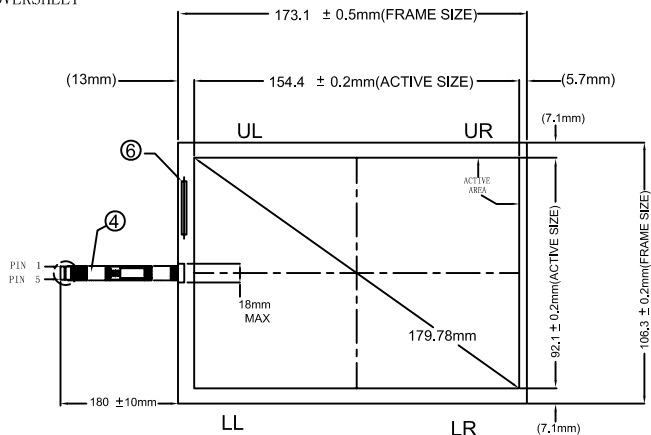


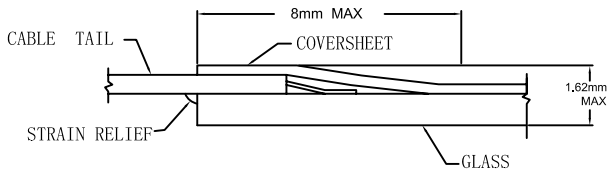
NOTES:

1. GLASS THICKNESS 1.1mm NOMINAL
2. FINISHED PART THICKNESS 1.46mm NOMINAL
3. FINISHED PART THICKNESS AT CABLE ATTACHMENT AREA 1.62mm MAX
- ④ LABEL TO BE ATTACHED TO FRONT SIDE OF CABLE
5. CABLE IS ATTACHED TO THE LEFT SIDE OF TOUCHSCREEN AT CENTER POINT AS SHOWN
- ⑥ FINISHED PART THICKNESS AT THE COVERSHEET CONTACT 1.58mm MAX



CONNECTOR
PINOUT

PIN NO.	DESIGNATION
1	UR
2	LR
3	Sense
4	UL
5	LL



vtouch
VTUOCH P/N: 15R-7.0-10
DESCRIPTION 7.0" 5-Wire Resistive TouchScreen
UNIT mm
DATE 08/06/25
SHEET 1 OF 1